



# Pre Insulated Butterfly Valves Series

## Technical Details

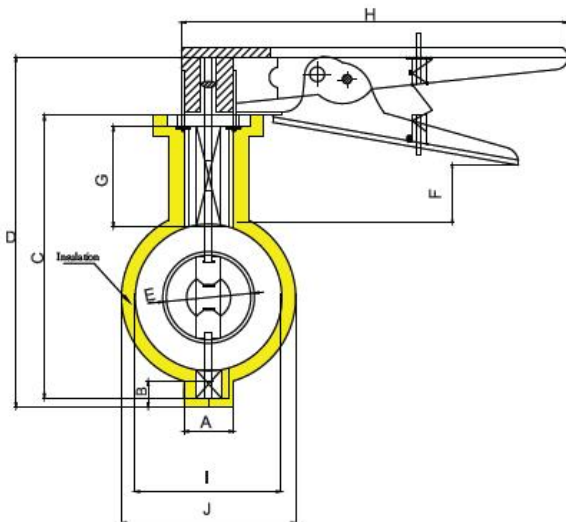
1. Valve Type : Centric Disc Butterfly valve with internally moulded rubber lined body.  
Double Eccentric Double Flanged Butterfly Valve.
2. Body Type : Long/Short wafer/lugged type body widely suitable in various applications.  
Long Double flanged type body widely suitable in various applications.
3. Material : FG 220 / FG 260 / DI (SGI) / CS / SS / Alternate material as per customer specification.
4. Seat type : Integrally moulded rubber with the body in wafer Type.  
Double eccentric with Rubber Seat on disc in Double Flanged Type.
5. Seat Material : Standard : EPDM / Alternate : NITRILE, BUNA N, VITON Rubber, etc.,
6. Disc : Centric Disc / Double Eccentric made of Ductile Iron / CF8.
7. Shaft : SS 410
8. Bolts at Notch Plate : SS 304 / A 307 Gr. B
9. End Connection : Wafer, Lugged & Double Flanged Models.
10. Size range : 25 NB to 1200 NB.
11. Pressure Rating : PN 10, PN16, PN20 & PN25.
12. Operating temperature range : -50° C to 230° C (depending on MOC)
13. Seat leakage : Tight shut off.
14. Operation : Hand lever for sizes from 40 NB to 200 NB. Worm gear boxes for 250 NB and above. Also, Motorised / Actuator options available for any size.
15. Overall Conformity To Standard : BS 5155 / IS 13095 / API 609 Category A
16. Flange Conformity Standard : BS10 Tab D, E, F & Special Dimensions, ANSI 150, DIN PN 6/10, JIS 5K / 10K
17. Valve face to face : Short / Long Wafer as per ISO 5752 Tab 5 / API 609 Category A dimensions.  
Double Flanged as per IS 13095
18. Top flange drilling : ISO 5211 part II
19. Insulation : Polyurathere Foam (PUR) / Polyisocyanurate Foam (PIR) with min.70 Kg/m<sup>3</sup> density.
20. Options : Preinsulated / Bare.

**Pre Insulated Valves - A Patented Technology**

a CE Certified Product



a CE Certified Product



#### Details

- A - Bottom Stand Width
- B - Bottom Stand Height
- C - Height Of The Valve
- D - Total Height Including Handle
- E - Nominal Bore
- F - Length Between Handle And Long Neck Collar
- G - Length Of The Long Neck Collar
- H - Length Of The Handle
- I - Bare Valve OD
- J - Pre-insulated Valve OD

#### Key Features :

- ☛ Pre Insulated Butterfly Valves is the most advanced factory preinsulated solution with a technology which totally overcomes existing onsite problems of insulation on uneven surfaces of valve body.
- ☛ Pre Insulated Butterfly Valves which avoids the Cost & Labour incurred in insulating the valve after installation.
- ☛ Integral Insulation with Reinforcement Technology also avoids the repeated re-insulation cost often incurred in conventional manual onsite insulation techniques.
- ☛ This solution helps to reduce project execution time and increases the workmanship / efficiency of insulation to very high levels.
- ☛ Integrally moulded seat lining bonded on the body, which ensures excellent Dimensional Stability & Guaranteed Seat Tightness.
- ☛ Variants and Options availability of Lining, Metallurgy & other MOC to suit a wide variety of applications.
- ☛ Extended Seat Liner extending on to the contact faces ensures perfect sealing and eliminates the need for separate flange gaskets usually used for additional packing.
- ☛ Excellent Triple Sealing System (TSS) for shaft sealing ensures zero leakage from shaft seals.
- ☛ A fully universal body design ensures fitment of the bare valve between companion flanges of all popular standards (viz: ANSI, BS, DIN, JIS, IS etc ). For Preinsulated Valves, customised flanges as per special chart are needed. They can be optionally procured from our company itself.
- ☛ A multi position notch disc and hand lever ensures locking of the valve in intermediate positions in addition to closed and open position.
- ☛ Body castings standardly made of superior FG 260 Grade Cast Iron / Ductile Iron ensuring additional strength.
- ☛ Valve disc made of SS CF8 / Ductile Cast Iron instead of Grey Cast Iron to withstand against possible water hammer or pressure surges.
- ☛ Both top and bottom shaft swivelling are guided by self-lubricated PTFE bearings.
- ☛ Full proof hand lever designed to prevent accidental pinching of hand between the handle and locking lever.
- ☛ Preinsulated Butterfly Valves can also be supplied with its matching and support accessory like Preinsulated Tail Pieces (Flange alongwith a cut pipe length), Specially coated Bolts, Nuts & Washers and Specially designed Rubber Sleeves.